

- MAGNETIC PRINCIPLE MEASUREMENT
- ABSOLUTE MEASUREMENT
- SHAFT OR SEMI HOLLOW SHAFT
- 50 MM BODY DIAMETER
- 6MM, 8MM, 10MM SHAFT OR SHAFT HOLE DIAMETERS
- MULTI-TURN OF 0.02 ° SENSITIVITY
- ABSOLUTE ANALOG OUTPUT OPTIONS: 4-20 mA, 0-10 V
- IP67 PROTECTION CLASS



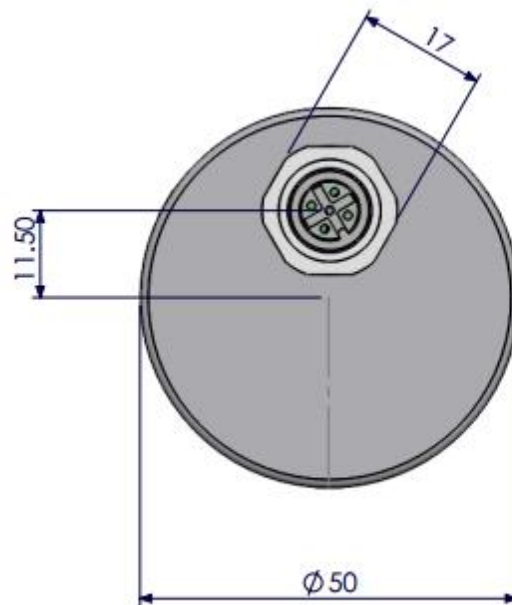
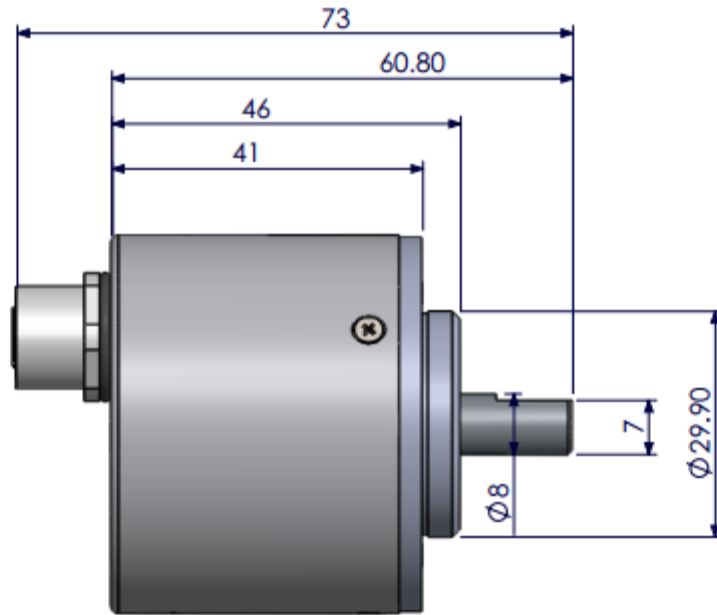
## 1. TECHNICAL SPECIFICATIONS

### GENERAL SPECIFICATIONS

Supply voltage	15...26VDC
Supply Current	60 mA
Output	0.1-10VDC / 4-20mA
Accuracy	±0,5°
Resolution	16 bit
Sampling Frequency	500 Hz.
Protection Class	IP 67
Relative humidity	%10 to %90
Operating temperature	-20...+70 °C
Electrical Connection	M12 5 pin ( male )
Body	Aluminum
Weight	290 gram
Body Diameter	50mm
Shaft Diameters	6 mm, 8 mm, 10 mm

## 2. CONNECTIONS

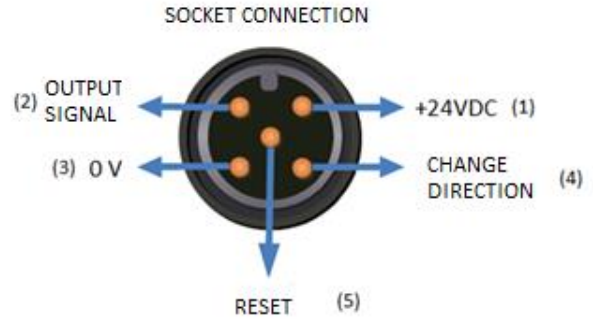
### 2.1 Dimensions



## 2.2 Electrical Connection

### ANALOG OUTPUT

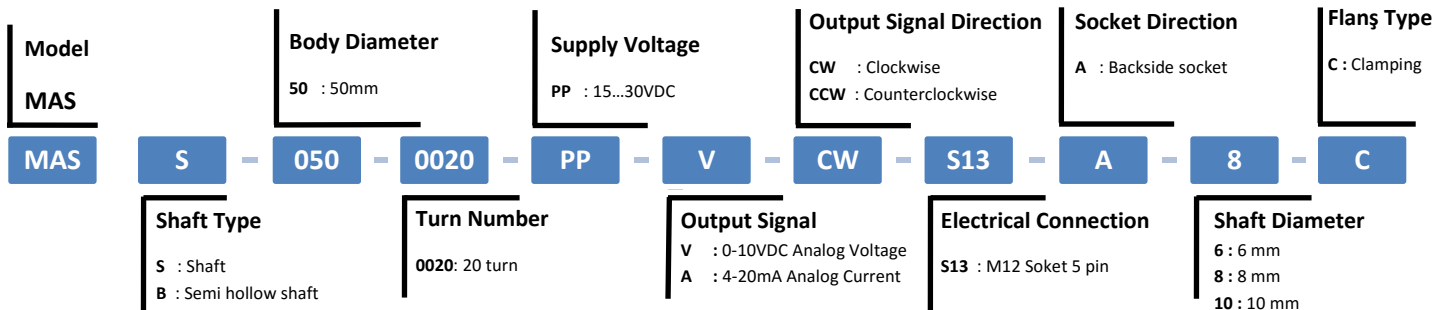
Connection Terminal	M12 Socket	Cable
U+ (12..26VDC)	Pin 1	Red
Output 0.1-10VDC / 4-20mA	Pin 2	Yellow
GND (0V)	Pin 3	Black
Direction Change	Pin 4	Green
Reset	Pin 5	Pink



**RESET:** With the reset function you can set the desired position to 0. The resetter is shorted out to GND and released. The sensor resets itself after two seconds (takes the start position).

**DIRECTION CHANGE:** You can change the output signal direction with the change direction function. The diverter switch is short-circuited with GND. The sensor reverses the output signal direction after two seconds (CW is CCW, CCW is CW).

### ORDER CODING



### Atek Sensor Technology A.S.



Tuzla KOSB Organize Sanayi Bolgesi Melek Aras Bulvari, No:67 34956 Tuzla-Istanbul / TURKEY

Tel: +90 216 399 44 04

Fax: +90 216 399 44 02

[www.ateksensor.com](http://www.ateksensor.com)

[info@ateksensor.com](mailto:info@ateksensor.com)